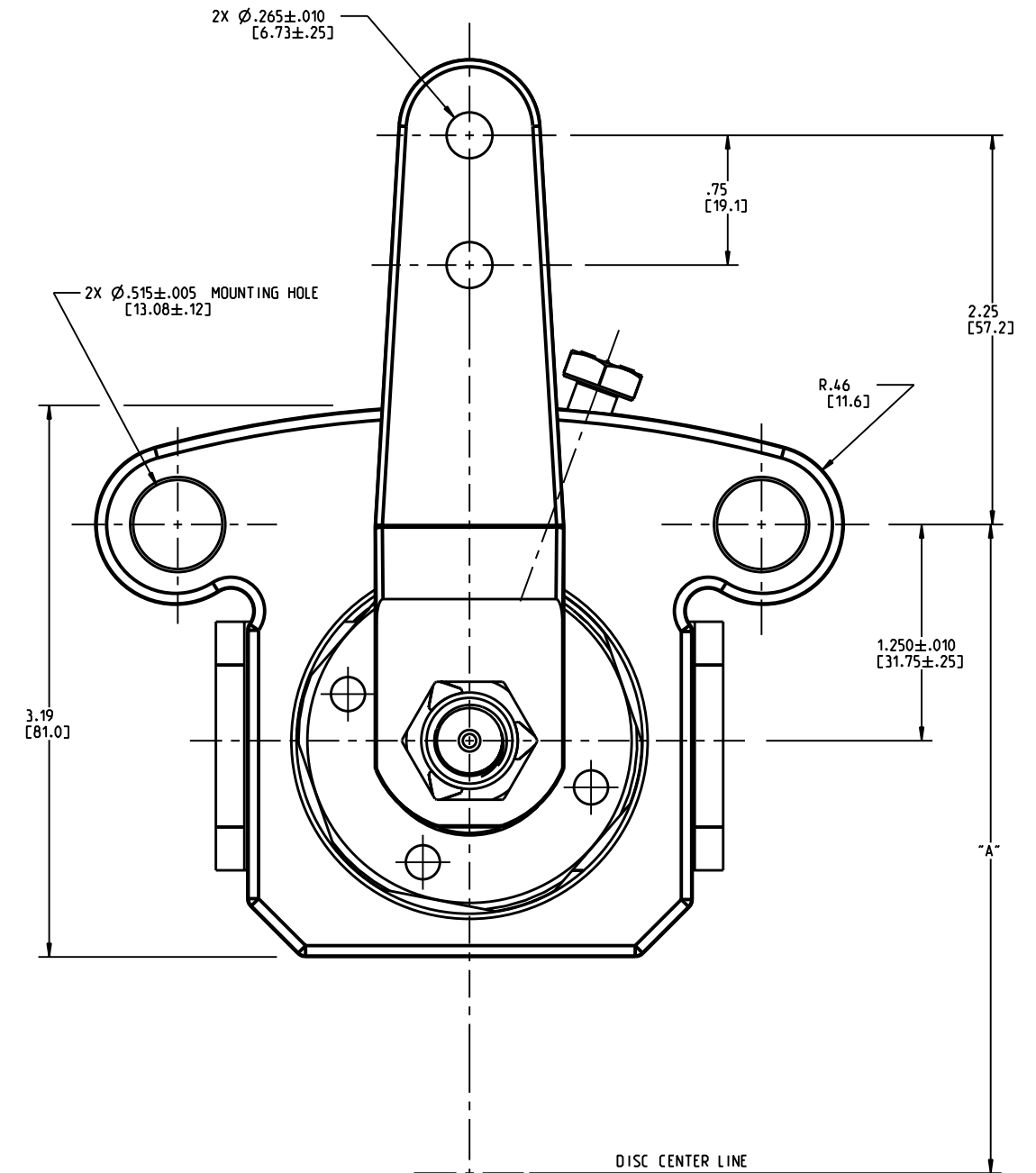
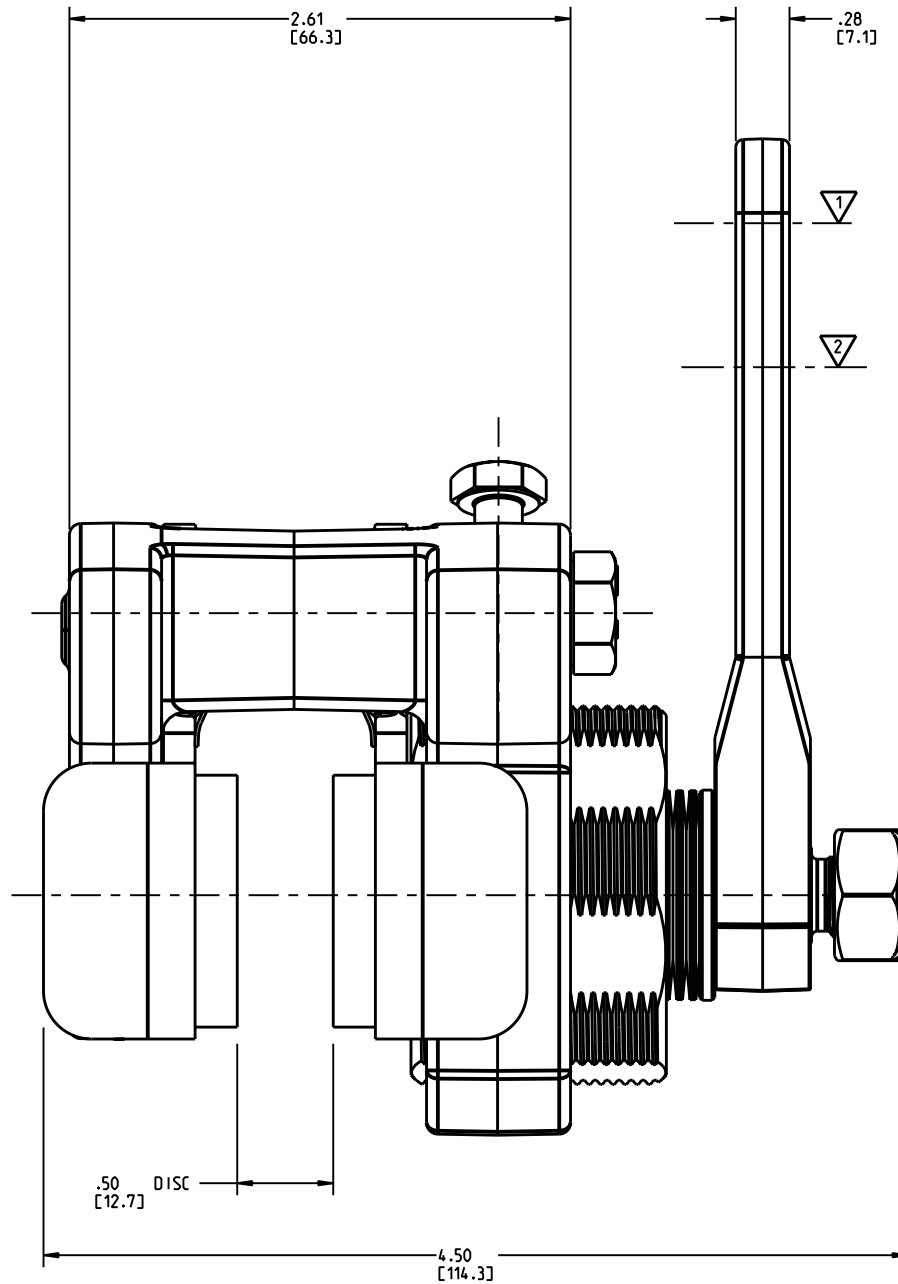
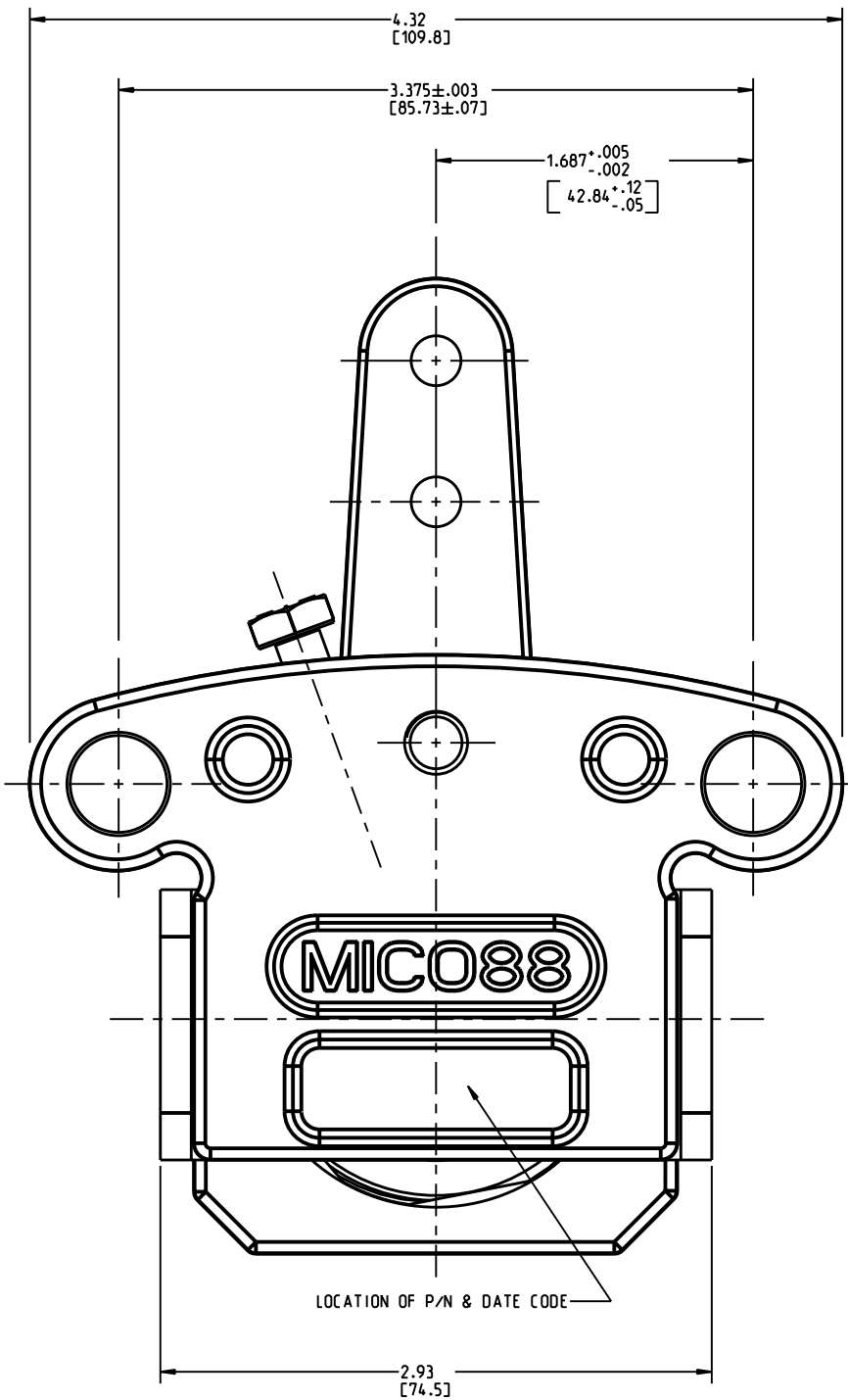


PART NUMBER
02-515-148
NPI OR ECN NO.
ECN C000129



NOTES:

- 1) DIMENSIONS WILL VARY SLIGHTLY BETWEEN UNITS AND ARE TO BE USED FOR REFERENCE PURPOSES ONLY.
- 2) DISC DIAMETER: 6.00 TO UNLIMITED.
- 3) DISC THICKNESS: .50
- 4) "A" DIMENSION = DISC RADIUS + .38.
- 5) LINING KIT P/N 20-060-082.
- 6) REPAIR KIT P/N 02-500-133.

PERFORMANCE CHARACTERISTICS:

- 1) BRAKE TORQUE FORMULA WHEN LEVER PULL IS APPLIED AT:
 - 1) BRAKE TORQUE: $Bf (LBIN)=13.61 \times \text{LEVER PULL} \times (\text{DISC RADIUS} - 1.00)$.
 - 2) BRAKE TORQUE: $Bf (LBIN)=10.69 \times \text{LEVER PULL} \times (\text{DISC RADIUS} - 1.00)$.
- 2) MAXIMUM BRAKE LEVER PULL NOT TO EXCEED:
 - 330 LBS. WHEN APPLIED AT 1
 - 420 LBS. WHEN APPLIED AT 2
- 3) MAXIMUM TORQUE ACHIEVED ONLY AFTER BRAKE HAS BEEN PROPERLY ADJUSTED AND BURNISHED.
- 4) **CAUTION:** DISC RUBBING SPEED SHOULD NOT EXCEED 5.000 FT/MIN. IF BRAKE IS USED DYNAMICALLY.

INCH
[MILLIMETER]



TITLE MECHANICAL BRAKE			
SCALE 1.000	CHECKED JH	PART NUMBER 02-515-148	REV J
DRN JH 03-Apr-03	APP ENG SH	CUSTOMER COPY 2	

COMPONENT AND SYSTEM RECOMMENDATIONS MADE BY MICO, INC. ARE BASED ON INFORMATION SUPPLIED BY POTENTIAL USER AND/OR SYSTEM DESIGNER. THE POTENTIAL USER AND/OR DESIGNER MUST MAKE FINAL ACCEPTANCE AND APPROVAL OF COMPONENTS AND SYSTEM AFTER TESTING PERFORMANCE ON AN ACTUAL APPLICATION FOR WHICH SYSTEM WAS DESIGNED.

MICO, INC. CLAIMS PROPRIETARY RIGHTS TO THE MATERIAL DISCLOSED IN THIS DOCUMENT. THIS DOCUMENT IS PROVIDED IN CONFIDENCE AND MAY NOT BE REPRODUCED OR DISCLOSED WITHOUT WRITTEN PERMISSION FROM MICO, INC. COPYRIGHT MICO, INC. ALL RIGHTS RESERVED.