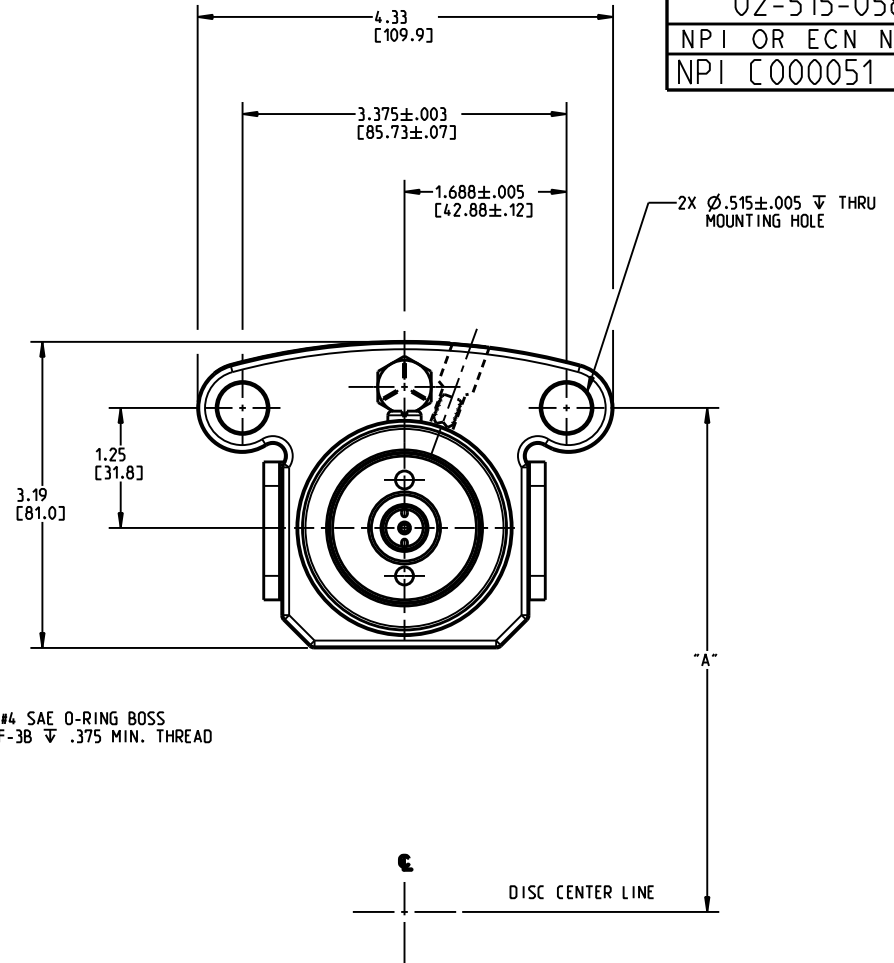
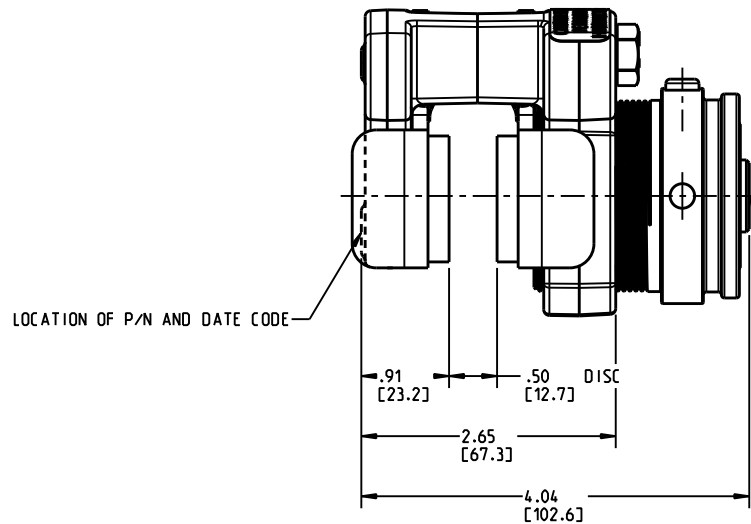


DRAWING NUMBER  
02-515-058  
NPI OR ECN NO  
NPI C000051



MODIFIED #4 SAE O-RING BOSS  
7/16-20UNF-3B  $\nabla$  .375 MIN. THREAD

**NOTES:**

1. FOR USE WITH MINERAL BASE HYDRAULIC OIL ONLY.
2. DIMENSIONS MAY VARY BETWEEN UNITS AND ARE FOR REFERENCE PURPOSES ONLY. MILLIMETER VALUES MAY NOT BE AN EXACT CONVERSION OF INCH VALUES.
3. DISC DIAMETER: 6.00 TO UNLIMITED
4. DISC THICKNESS: .50
5. "A" DIMENSION = DISC RADIUS + .38
6. SEAL KIT P/N 02-500-036.
7. REPAIR KIT P/N 02-500-190.
8. LINING KIT P/N 20-060-126.

**PERFORMANCE CHARACTERISTICS:**

1. BRAKE TORQUE: BI (LBIN) = 900 X (DISC RADIUS - 1.00).
2. RELEASE PRESSURE 1200 PSI
3. **CAUTION:** CONTINUOUS DUTY PRESSURE-2000 PSI  
INTERMITTENT DUTY PRESSURE-2500 PSI
4. **CAUTION:** DISC RUBBING SPEED SHOULD NOT EXCEED 5000 FT/MIN
5. 200 PSI MAX. BLEEDING PRESSURE.
6. MAXIMUM TORQUE ACHIEVED ONLY AFTER BRAKE HAS BEEN PROPERLY ADJUSTED AND BURNISHED.

**INCH**  
**(MILLIMETER)**



North Mankato, Minnesota USA

COMPONENT AND SYSTEM RECOMMENDATIONS MADE BY MICO, INC ARE BASED ON INFORMATION SUPPLIED BY POTENTIAL USER AND/OR SYSTEM DESIGNER. THE POTENTIAL USER AND/OR DESIGNER MUST MAKE FINAL ACCEPTANCE AND APPROVAL OF COMPONENTS AND SYSTEM AFTER TESTING PERFORMANCE ON AN ACTUAL APPLICATION FOR WHICH SYSTEM WAS DESIGNED.

MICO, INC CLAIMS PROPRIETARY RIGHTS TO THE MATERIAL DISCLOSED IN THIS DOCUMENT. THIS DOCUMENT IS PROVIDED IN CONFIDENCE AND MAY NOT BE REPRODUCED OR DISCLOSED WITHOUT WRITTEN PERMISSION FROM MICO, INC. COPYRIGHT MICO, INC. ALL RIGHTS RESERVED.

SCALE 0.500		TITLE SPRING BRAKE		
DWN JRA 2011-05-23	APVD PROD ENGRG DPD 2011-09-01	SIZE A	DRAWING NUMBER 02-515-058	REV A
X NO	APVD ENGRG BSW 2011-08-19		CUSTOMER COPY	1 2