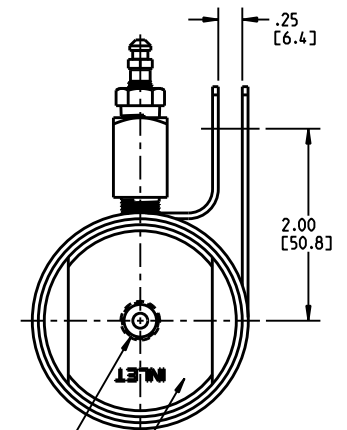
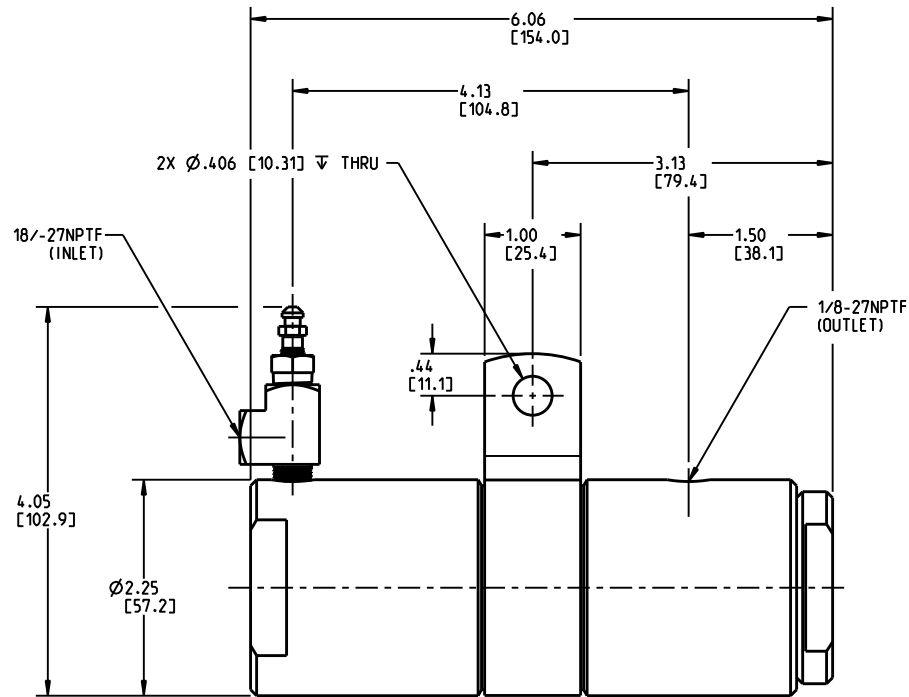


DRAWING NUMBER
02-460-601
NPI OR ECN NO
ECN B001072



LOCATION OF P/N AND DATE CODE

NOTES:

1. TO BE USED WITH DOT 3, 4 OR 5 BRAKE FLUID ONLY.
2. DIMENSIONS MAY VARY BETWEEN UNITS AND ARE FOR REFERENCE PURPOSES ONLY. MILLIMETER VALUES MAY NOT BE AN EXACT CONVERSION OF INCH VALUES.
3. REPAIR KIT P/N 02-400-250.

INCH
(MILLIMETER)

PERFORMANCE CHARACTERISTICS:

1. BORE: Ø1.500 IN.
2. STROKE: 1.05 IN.
3. EFFECTIVE STROKE: .96 IN.
4. DISPLACEMENT: 1.69 CU. IN.
5. ACTUATING DISPLACEMENT: 1.85 CU. IN.

COMPONENT AND SYSTEM RECOMMENDATIONS MADE BY MICO, INC ARE BASED ON INFORMATION SUPPLIED BY POTENTIAL USER AND/OR SYSTEM DESIGNER. THE POTENTIAL USER AND/OR DESIGNER MUST MAKE FINAL ACCEPTANCE AND APPROVAL OF COMPONENTS AND SYSTEM AFTER TESTING PERFORMANCE ON AN ACTUAL APPLICATION FOR WHICH SYSTEM WAS DESIGNED.

MICO, INC CLAIMS PROPRIETARY RIGHTS TO THE MATERIAL DISCLOSED IN THIS DOCUMENT. THIS DOCUMENT IS PROVIDED IN CONFIDENCE AND MAY NOT BE REPRODUCED OR DISCLOSED WITHOUT WRITTEN PERMISSION FROM MICO, INC. COPYRIGHT MICO, INC. ALL RIGHTS RESERVED.

MICO [®] North Mankato, Minnesota USA				
SCALE 0.500	TITLE REMOTE ACTUATOR			
DWN ETM 2013-03-27	APVD PROD ENGRG	SIZE A	DRAWING NUMBER 02-460-601	REV C
X NO	APVD ENGRG BSW 2013-04-05		CUSTOMER COPY	0 0