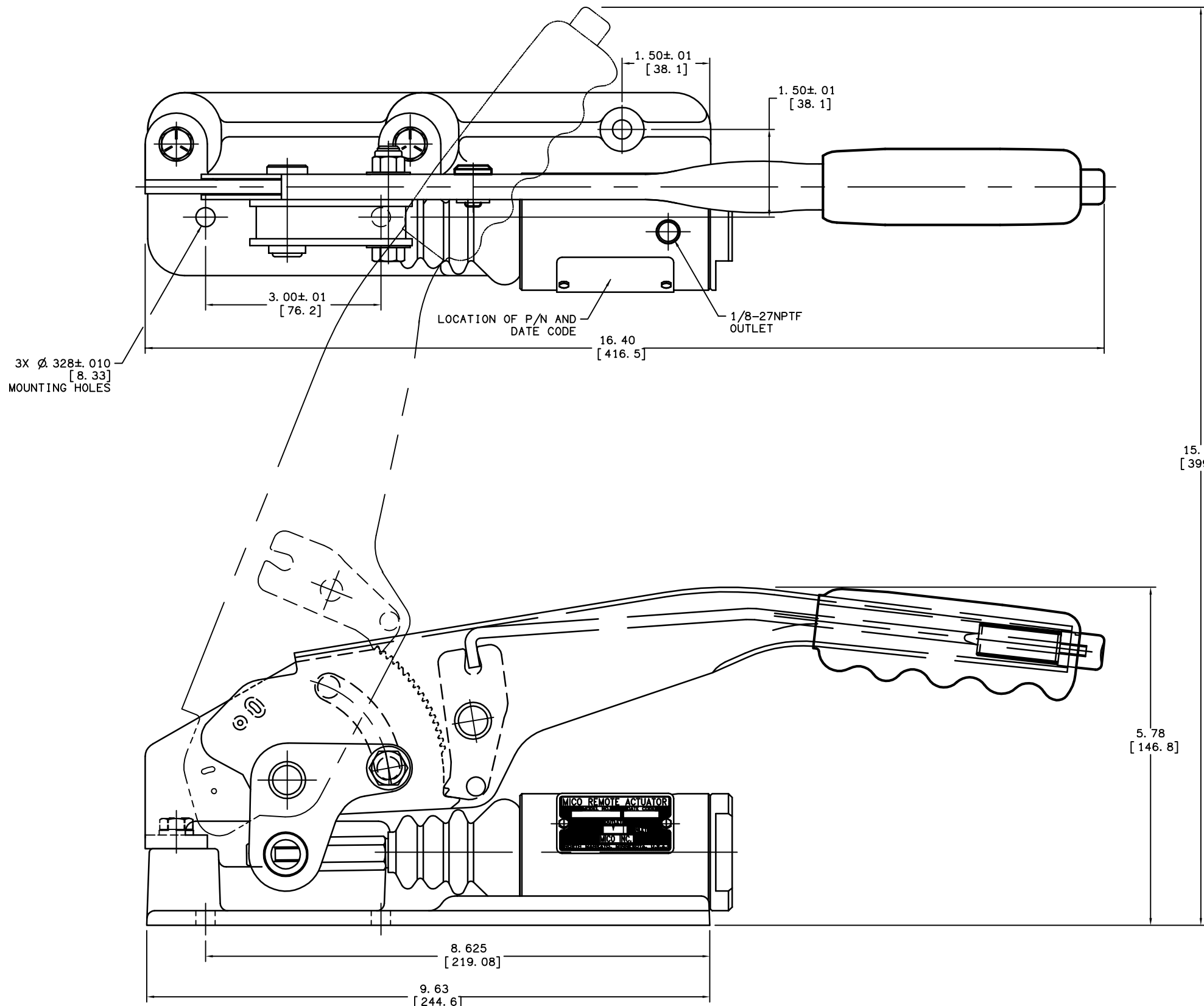


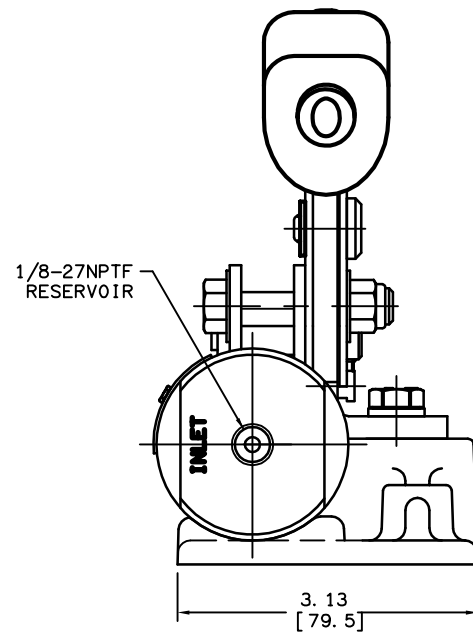
DRAWING NUMBER
02-460-147
NPI OR ECN NO
ECN B000859



NOTES:

1. DIMENSIONS MAY VARY BETWEEN UNITS AND ARE TO BE USED FOR REFERENCE PURPOSES ONLY. MILLIMETER VALUES MAY NOT BE AN EXACT CONVERSION OF INCH VALUES.
2. FOR USE WITH DOT 3, 4 OR 5 BRAKE FLUID ONLY.
3. BORE SIZE: 1.125 IN
4. EFFECTIVE DISPLACEMENT: 1.18 CUIN
5. TOTAL STROKE: 1.250 IN
6. LEVER IS SELF-LOCKING WITH PUSH BUTTON RELEASE.
7. LEVER RATIO: 8.8:1

INCH
[MILLIMETER]



COMPONENT AND SYSTEM RECOMMENDATIONS MADE BY MICO, INC. ARE BASED ON INFORMATION SUPPLIED BY POTENTIAL USER AND/OR SYSTEM DESIGNER. THE POTENTIAL USER AND/OR DESIGNER MUST MAKE FINAL ACCEPTANCE AND APPROVAL OF COMPONENTS AND SYSTEM AFTER TESTING PERFORMANCE ON AN ACTUAL APPLICATION FOR WHICH SYSTEM WAS DESIGNED.

MICO, INC. CLAIMS PROPRIETARY RIGHTS TO THE MATERIAL DISCLOSED IN THIS DOCUMENT. THIS DOCUMENT IS PROVIDED IN CONFIDENCE AND MAY NOT BE REPRODUCED OR DISCLOSED WITHOUT WRITTEN PERMISSION FROM MICO, INC. COPYRIGHT MICO, INC. ALL RIGHTS RESERVED.

TITLE THROTTLE CONTROL			
SCALE 1/2	APVD PROD ENGRG DPD 2010-03-12	DRAWING NUMBER 02-460-147	REV L
DRN MAP 2009-11-20	APVD ENGRG BSW 2010-01-06	CUSTOMER COPY	