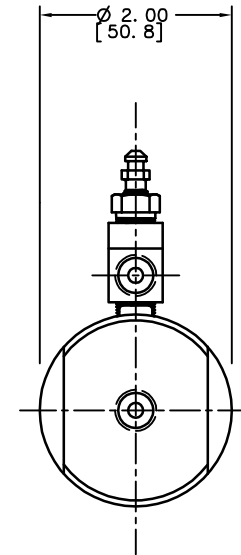
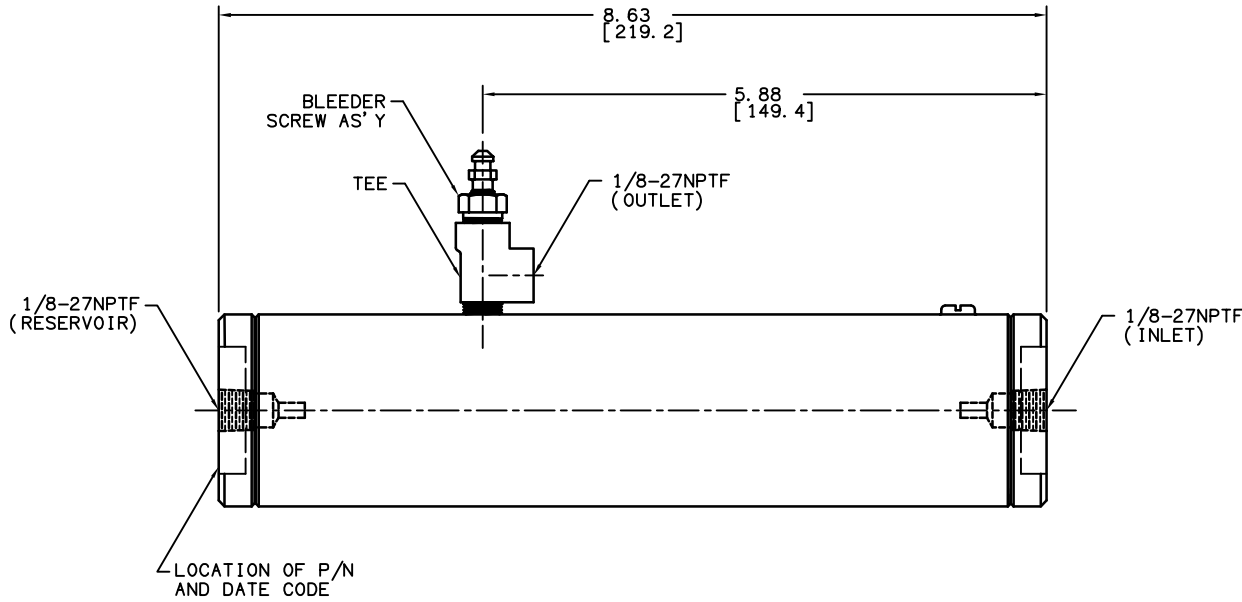


DRAWING NUMBER
02-460-052
NPI OR ECN NO
ECN B000669



NOTES:

1. TO BE USED WITH MINERAL BASE HYDRAULIC OIL ONLY.
2. DIMENSIONS MAY VARY SLIGHTLY BETWEEN UNITS AND ARE FOR REFERENCE PURPOSES ONLY. MILLIMETER VALUES MAY NOT BE AN EXACT CONVERSION OF INCH VALUES.
3. TEE AND BLEEDER SCREW ASSY MAY BE SHIPPED UNASSEMBLED. APPLY HYDRAULIC THREAD SEALANT AND TORQUE TEE TO 10-13 LBFT. BLEEDER SCREW ASSY TO BE TORQUED TO 10-13 LBFT.
4. REPAIR KIT P/N 02-400-070.

PERFORMANCE CHARACTERISTICS:

1. BORE: 1.50 IN. DIA.
2. STROKE: 2.00 IN.
3. EFFECTIVE DISPLACEMENT: 3.501 CU. IN.

COMPONENT AND SYSTEM RECOMMENDATIONS MADE BY MICO, INC ARE BASED ON INFORMATION SUPPLIED BY POTENTIAL USER AND/OR SYSTEM DESIGNER. THE POTENTIAL USER AND/OR DESIGNER MUST MAKE FINAL ACCEPTANCE AND APPROVAL OF COMPONENTS AND SYSTEM AFTER TESTING PERFORMANCE ON AN ACTUAL APPLICATION FOR WHICH SYSTEM WAS DESIGNED.

MICO, INC CLAIMS PROPRIETARY RIGHTS TO THE MATERIAL DISCLOSED IN THIS DOCUMENT. THIS DOCUMENT IS PROVIDED IN CONFIDENCE AND MAY NOT BE REPRODUCED OR DISCLOSED WITHOUT WRITTEN PERMISSION FROM MICO, INC. COPYRIGHT MICO, INC. ALL RIGHTS RESERVED.



SCALE 1/2		TITLE REMOTE ACTUATOR		
DWN JJH 02-May-07	APVD PROD ENGRG BG 08-MAY-2007	SIZE A	DRAWING NUMBER 02-460-052	REV M
X NO	APVD ENGRG BSW 03-MAY-2007	CUSTOMER COPY		