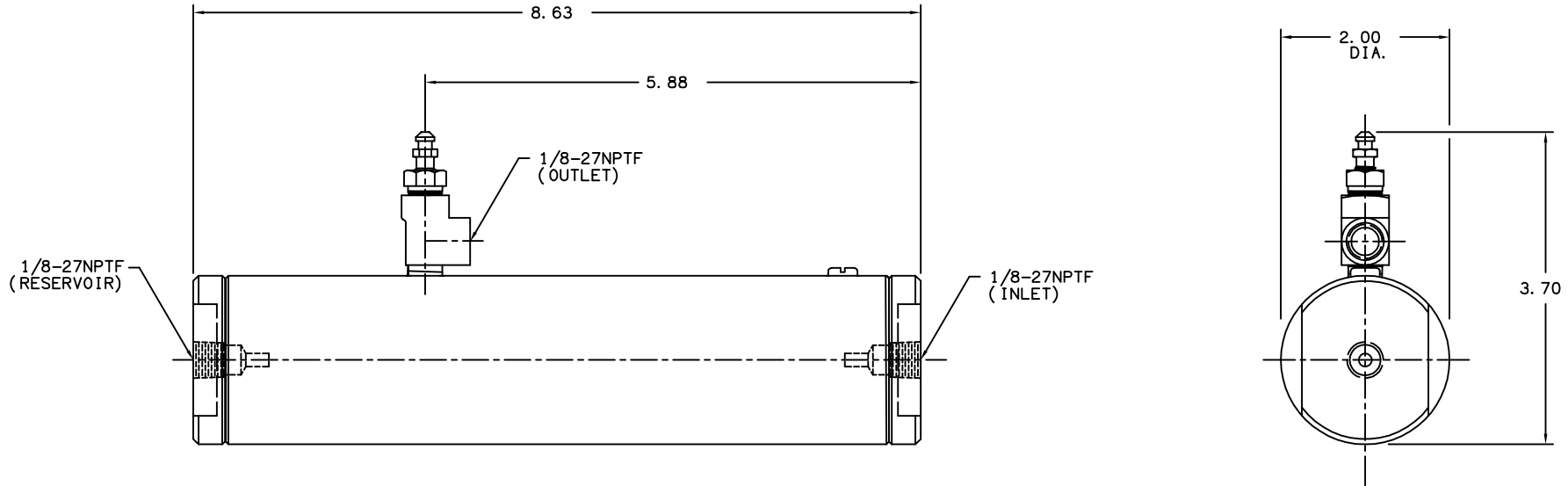


| |
|------------------------------|
| DRAWING NUMBER 02-460-051 |
| NPI OR ECN NO |
| ECN B000609 |



NOTES:

1. TO BE USED WITH DOT 3, 4, OR 5 BRAKE FLUID ONLY.
2. DIMENSIONS MAY VARY SLIGHTLY BETWEEN UNITS AND ARE FOR REFERENCE PURPOSES ONLY. MILLIMETER VALUES MAY NOT BE AN EXACT CONVERSION OF INCH VALUES.
3. REPAIR KIT P/N 02-400-011.

PERFORMANCE CHARACTERISTICS:

1. BORE: 1.50 IN. DIA.
2. STROKE: 2.00 IN.
3. EFFECTIVE DISPLACEMENT: 3.501 CU. IN.

| | |
|--|---|
| COMPONENT AND SYSTEM RECOMMENDATIONS MADE BY MICO, INC ARE BASED ON INFORMATION SUPPLIED BY POTENTIAL USER AND/OR SYSTEM DESIGNER. THE POTENTIAL USER AND/OR DESIGNER MUST MAKE FINAL ACCEPTANCE AND APPROVAL OF COMPONENTS AND SYSTEM AFTER TESTING PERFORMANCE ON AN ACTUAL APPLICATION FOR WHICH SYSTEM WAS DESIGNED. | MICO, INC CLAIMS PROPRIETARY RIGHTS TO THE MATERIAL DISCLOSED IN THIS DOCUMENT. THIS DOCUMENT IS PROVIDED IN CONFIDENCE AND MAY NOT BE REPRODUCED OR DISCLOSED WITHOUT WRITTEN PERMISSION FROM MICO, INC. COPYRIGHT MICO, INC. ALL RIGHTS RESERVED. |
|--|---|



| | | | | |
|----------------------|--------------------------|-----------|------------------------------|----------|
| SCALE 1/2 | TITLE REMOTE ACTUATOR | | | |
| DWN ETM 11-JUL-06 | APVD PROD ENGRG BG | SIZE A | DRAWING NUMBER 02-460-051 | REV K |
| X NO | APVD ENGRG BSW | | CUSTOMER COPY | |