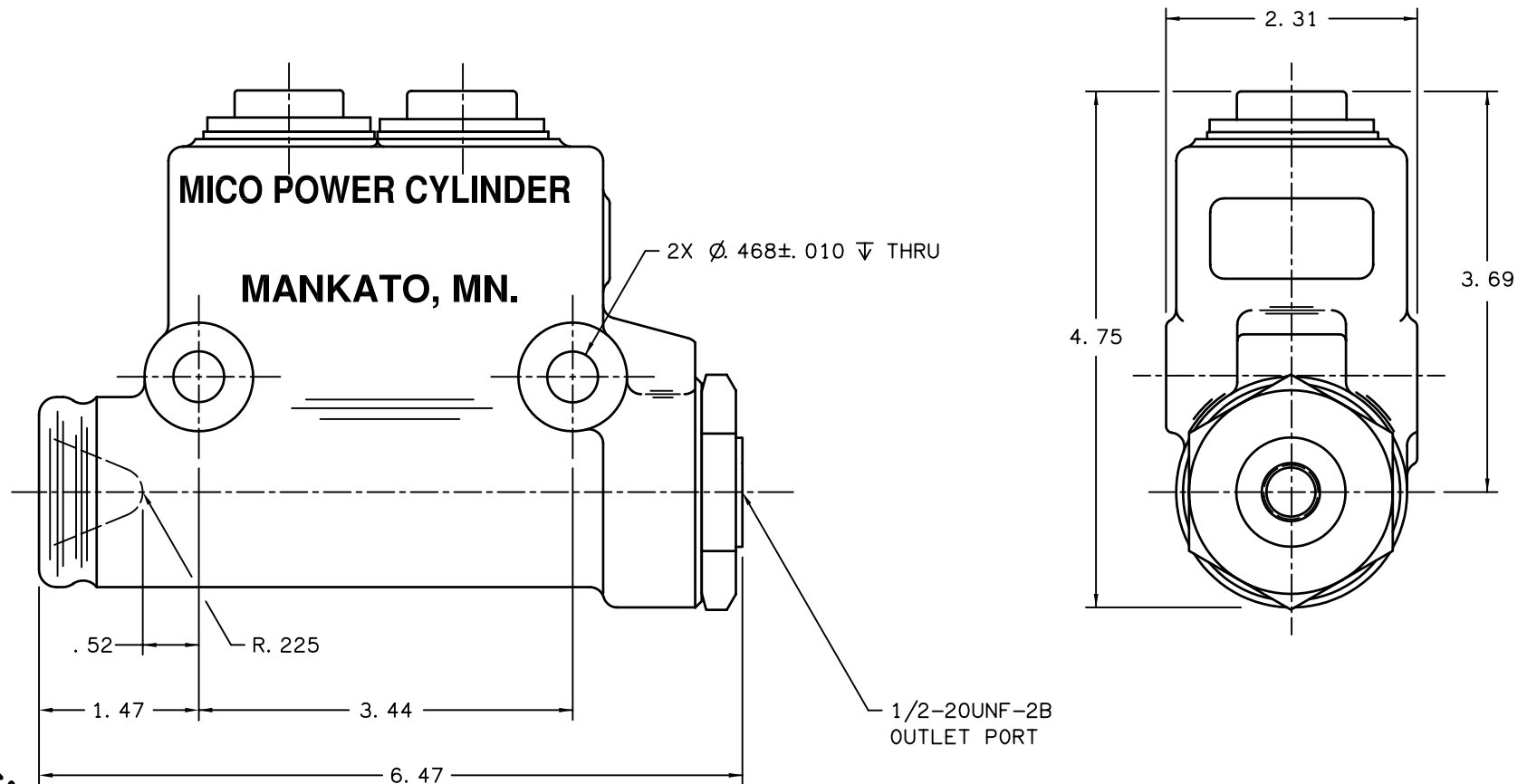


DRAWING NUMBER  
02-020-262  
NPI OR ECN NO  
NPI B000022



**NOTES:**

1. FOR USE WITH MINERAL BASE HYDRAULIC OIL ONLY.
2. DIMENSIONS MAY VARY SLIGHTLY BETWEEN UNITS AND ARE TO BE USED FOR REFERENCE PURPOSES ONLY.
3. REPAIR KIT P/N 02-001-293.
4. PUSH ROD TO HAVE .22 SPHERICAL RADIUS.
5. THE 02-020-262 CYLINDER IS A STRAIGHT BORE MASTER CYLINDER, NOT A MICO POWER CYLINDER.
6. FINISH: OLIVE DRAB PRIMER PER DOD-P-15328 SPECIFICATION.

**PERFORMANCE CHARACTERISTICS:**

1. BORE:  $\varnothing 1.25$ .
2. STROKE: 1.25 MAX.

COMPONENT AND SYSTEM RECOMMENDATIONS MADE BY MICO, INC. ARE BASED ON INFORMATION SUPPLIED BY POTENTIAL USER AND/OR SYSTEM DESIGNER. THE POTENTIAL USER AND/OR DESIGNER MUST MAKE FINAL ACCEPTANCE AND APPROVAL OF COMPONENTS AND SYSTEM AFTER TESTING PERFORMANCE ON AN ACTUAL APPLICATION FOR WHICH SYSTEM WAS DESIGNED.

MICO, INC. CLAIMS PROPRIETARY RIGHTS TO THE MATERIAL DISCLOSED IN THIS DOCUMENT. THIS DOCUMENT IS PROVIDED IN CONFIDENCE AND MAY NOT BE REPRODUCED OR DISCLOSED WITHOUT WRITTEN PERMISSION FROM MICO, INC. COPYRIGHT MICO, INC. ALL RIGHTS RESERVED.



TITLE MASTER CYLINDER			
SCALE NONE	APVD PROD ENGRG	DRAWING NUMBER 02-020-262	REV A
DRN JJH 13-Jan-04	APVD ENGRG JC	CUSTOMER COPY	