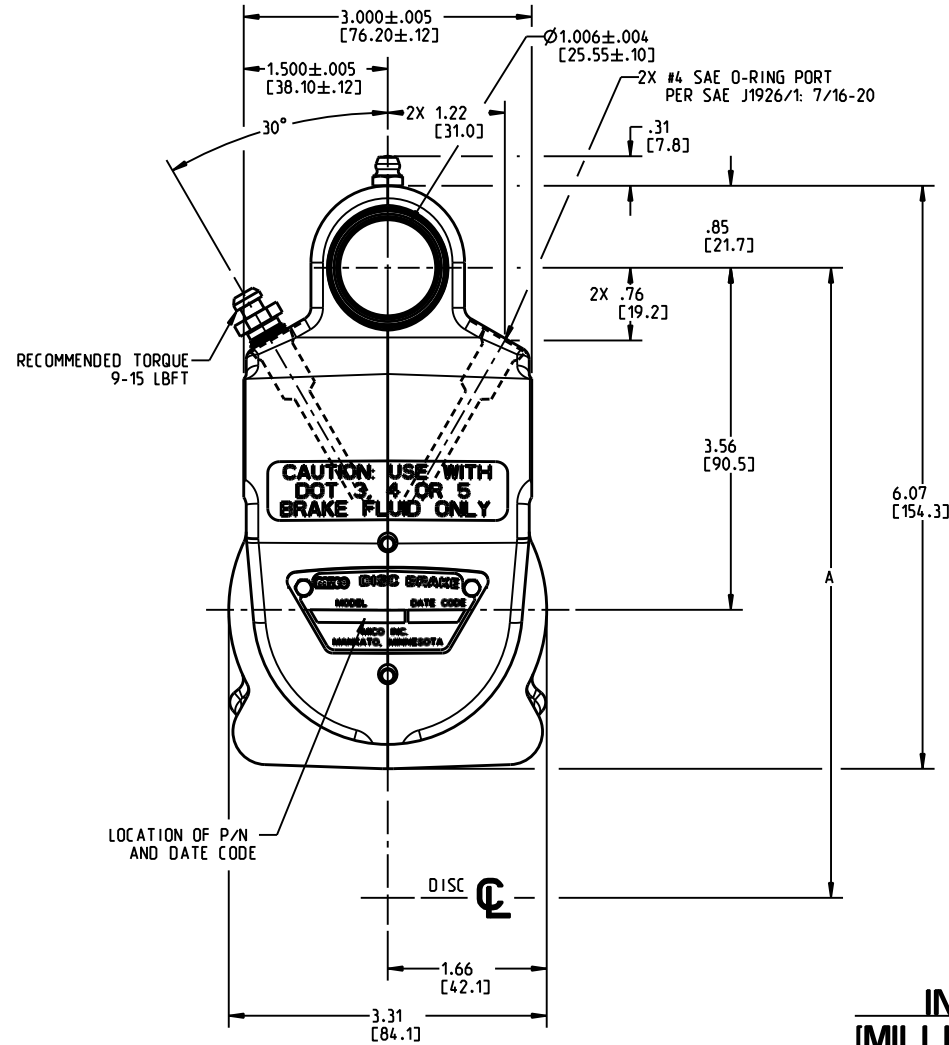
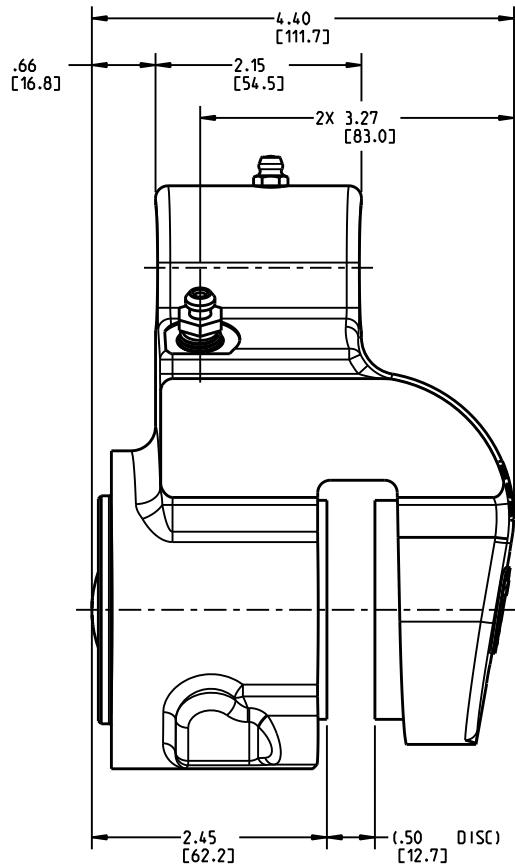


DRAWING NUMBER  
01-530-045  
NPI OR ECN NO  
ECN D000094



INCH  
[MILLIMETER]

**NOTES:**

- 1) TO BE USED WITH DOT 3, 4 OR 5 BRAKE FLUID ONLY.
- 2) DIMENSIONS MAY VARY BETWEEN UNITS AND ARE TO BE USED FOR REFERENCE PURPOSES ONLY. MILLIMETER VALUES MAY NOT BE AN EXACT CONVERSION OF INCH VALUES.
- 3) BRAKE SHOWN IN APPLIED POSITION.
- 4) SEAL KIT P/N 02-500-239.
- 5) REPAIR KIT P/N 02-500-238.
- 6) LINING KIT P/N 20-060-118.

**PERFORMANCE CHARACTERISTICS:**

- 1) BRAKE TORQUE (LBIN) = PSI x 2.72 x (DISC RADIUS - 1.18).
- 2) MAXIMUM CONTINUOUS DUTY PRESSURE IS 1500 PSI.
- 3) MAXIMUM INTERMITTENT DUTY PRESSURE IS 2000 PSI.
- 4) ACTUATING VOLUME (CUIN) = .09 NOMINAL.
- 5) CAUTION: DISC RUBBING SPEED SHOULD NOT EXCEED 5000 FT/MIN.
- 6) 'A' DIMENSION = DISC RADIUS + 2.38.

COMPONENT AND SYSTEM RECOMMENDATIONS MADE BY MICO, INC ARE BASED ON INFORMATION SUPPLIED BY POTENTIAL USER AND/OR SYSTEM DESIGNER. THE POTENTIAL USER AND/OR DESIGNER MUST MAKE FINAL ACCEPTANCE AND APPROVAL OF COMPONENTS AND SYSTEM AFTER TESTING PERFORMANCE ON AN ACTUAL APPLICATION FOR WHICH SYSTEM WAS DESIGNED.

MICO, INC CLAIMS PROPRIETARY RIGHTS TO THE MATERIAL DISCLOSED IN THIS DOCUMENT. THIS DOCUMENT IS PROVIDED IN CONFIDENCE AND MAY NOT BE REPRODUCED OR DISCLOSED WITHOUT WRITTEN PERMISSION FROM MICO, INC. COPYRIGHT MICO, INC. ALL RIGHTS RESERVED.



SCALE 0.500	TITLE HYDRAULIC DISC BRAKE ASSEMBLY			
DWN MAP 2009-07-14	APVD PROD ENGRG PJS 2009-11-04	SIZE A	DRAWING NUMBER 01-530-045	REV C
X NO	APVD ENGRG BSW 2009-07-18		CUSTOMER COPY	3 2