



PRODUCT BULLETIN

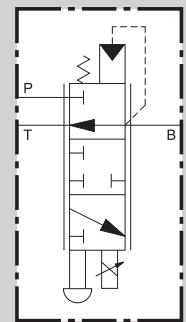
Universal Electrohydraulic Brake Valve

DESCRIPTION

The ZF Universal Electrohydraulic Brake Valves are closed center full power valves used for modulating output pressures up to 130 bar (1885 PSI) in proportion to the input current. These valves in conjunction with electronic controls and properly sized accumulators provide hydraulic power for normal and emergency power-off braking for brake-by-wire (BBW) systems using hydraulic apply spring release (HASR) brakes.



Symbol



BENEFITS

- Less cab noise with valve mounted remotely
- Improves reliability and performance by making maximum use of solenoid stroke and force
- Low valve leakage keeps accumulator sizes small
- Eliminates the continuous flow and small orifices of a pilot valve by simplifying design
- Reduces the effects of friction and contamination with high force solenoid
- Manual override can mechanically actuate the valve if electrical power is lost

FEATURES

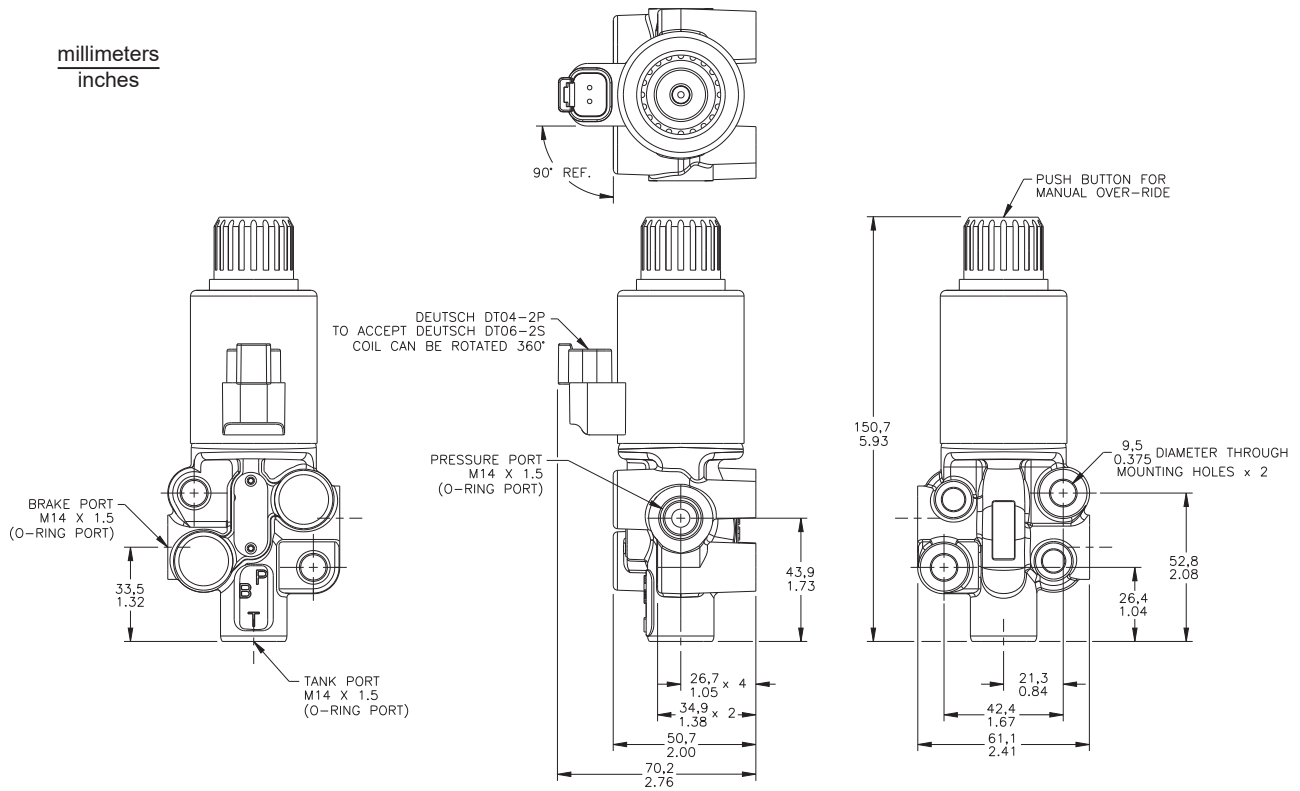
- Optimized specifically for the unique characteristics of full power
- Pre-fill routines rapidly fill large brakes without overheating
- Various output pressure ranges available
- Minimum life cycle of 2 million activations

SPECIFICATIONS

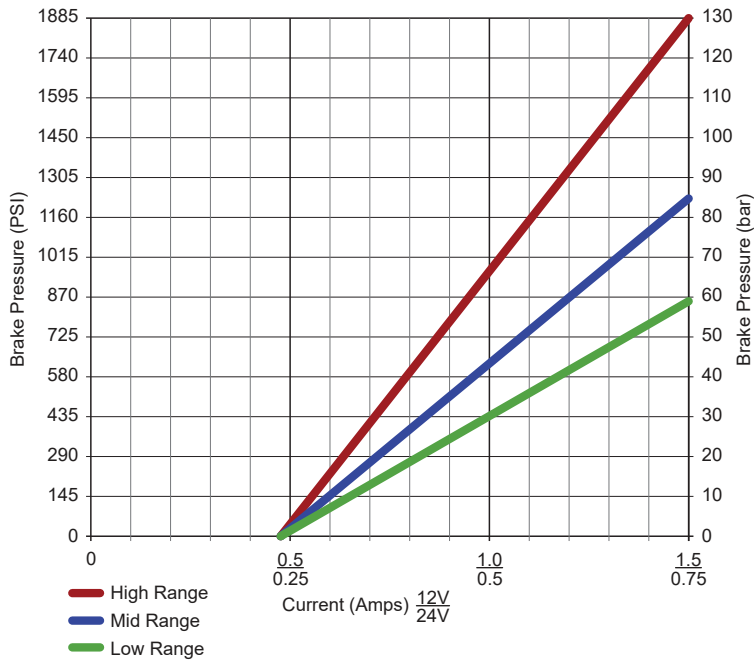
Fluid compatibility	Mineral base hydraulic oil
Operating temperature	-40 °F to 225 °F
Output pressure	(see chart on back page)
Rated pressure at (P) and (B) ports	207 bar (3000 PSI)
Leakage	<32 cc/min @ 138 bar (2000 PSI) and 32 cSt (150 SUS)
Minimum life cycle	2 million activations
Solenoid options	12V: 5.2 Ohms or 24V: 20.8 Ohms
IP rating	IP6K9K

Model Number	Description	Coil Ohms at 25 °C (77 °F)	100% Duty Cycle DC current (Amps)	Minimum Full-on Brake Pressure		Maximum 100% Duty Cycle Full-on Brake Pressure	
				bar	(PSI)	bar	(PSI)
407 112 009 0	EBV 24V Low Range	20.8	0.75	35	(508)	58	(841)
407 112 008 0	EBV 24V Mid Range	20.8	0.75	50	(726)	84	(1218)
407 112 007 0	EBV 24V High Range	20.8	0.75	78	(1132)	130	(1885)
407 112 006 0	EBV 12V Low Range	5.2	1.50	35	(508)	58	(841)
407 112 005 0	EBV 12V Mid Range	5.2	1.50	50	(726)	84	(1218)
407 112 004 0	EBV 12V High Range	5.2	1.50	78	(1132)	130	(1885)

millimeters
inches



Brake Pressure -vs- Current



This publication is not subject to any update service. Information contained in this publication was in effect at the time the publication was approved for printing and is subject to change without notice or liability. ZF Off-Highway Solutions Minnesota Inc. reserves the right to revise the information presented or to discontinue the production of parts described at any time.



ZF Off-Highway Solutions Minnesota Inc.

1911 Lee Boulevard / North Mankato, MN U.S.A. 56003

Tel: +1 507 625 6426 Fax: +1 507 625 3212