



PRODUCT BULLETIN

General Purpose Digital Pressure Gauge

Design Features:

- Meets ASME B40.7
- Proof pressure is 120% of range
- Burst pressure is 150% of range
- 1/2% terminal point accuracy
- IP67 weatherproof enclosure
- Standard range is 0-10,000 PSI
- Nine pre-programmed engineering units of measure
- Easy-to-read 5 digit display
- Back lighting for easy viewing in low light areas
- Minimum and maximum pressure indication
- Stainless steel socket and sensor suitable for a variety of applications. Welded sensor to socket for added durability



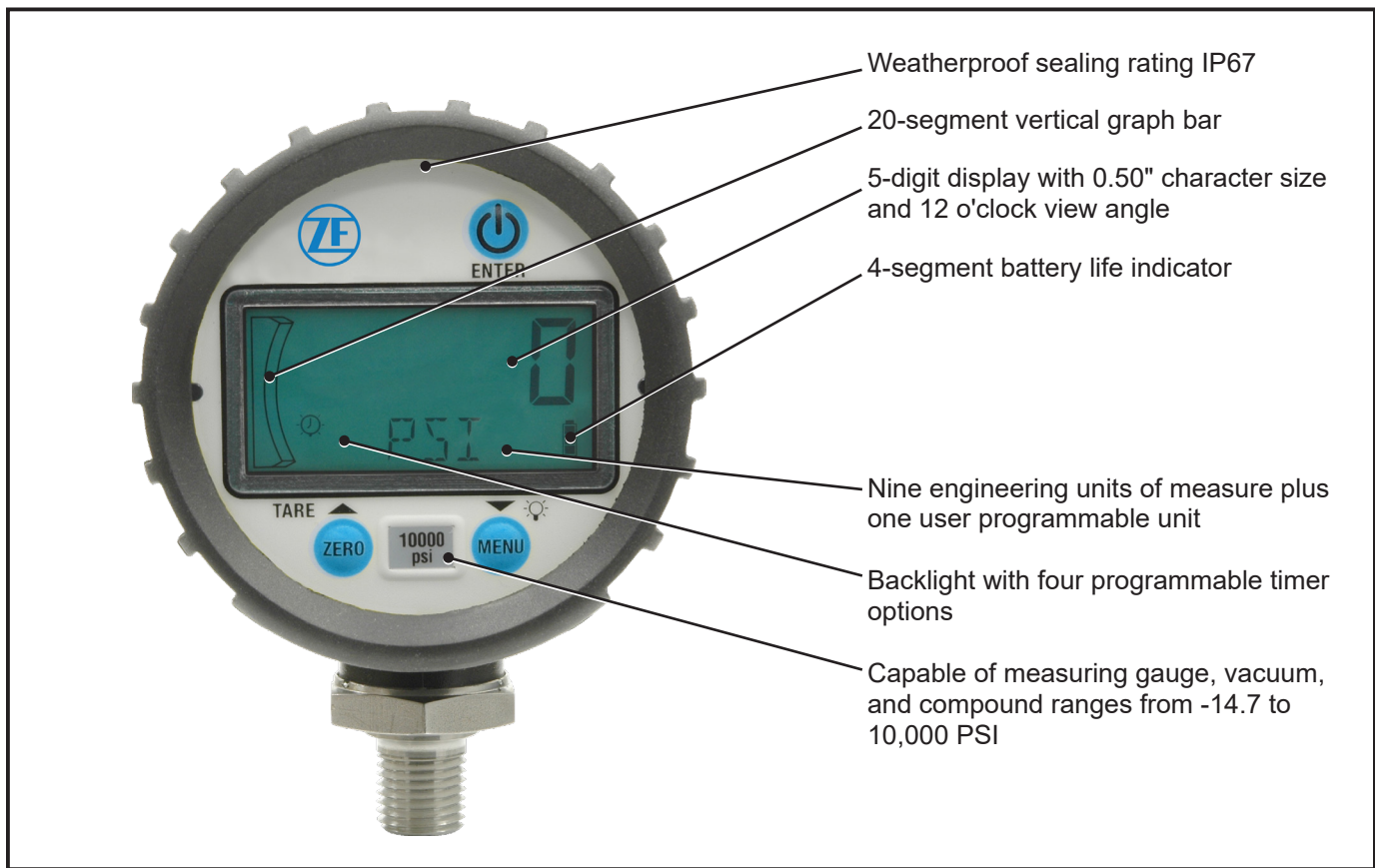
This versatile and economical gauge is the perfect choice for a wide variety of applications.

This publication is not subject to any update service. Information contained in this publication was in effect at the time the publication was approved for printing and is subject to change without notice or liability. ZF Off-Highway Solutions Minnesota Inc. reserves the right to revise the information presented or to discontinue the production of parts described at any time.



ZF Off-Highway Solutions Minnesota Inc.
1911 Lee Boulevard / North Mankato, MN U.S.A. 56003
Tel: +1 507 625 6426 **Fax:** +1 507 625 3212

Gauge Keypad



Digital Pressure Gauges, Kits, and Accessories

Model Number	Description
42-610-028	Gauge
42-610-029	Gauge (with certification of calibration)
12-740-017	Gauge and 12" hose
12-740-018	Gauge and 36" hose
12-740-019	Gauge, 12" hose, fitting kit, and case
12-740-020	Gauge, 36" hose, fitting kit, and case
42-590-002	12" hose only
42-590-003	36" hose only
12-700-002	Fitting kit only (see page 4)

Hose Specifications



1/4 ZW 12" long
1/4 male x 1/4 female NPT
with 1404-4-4 (one end)



1/4 ZW 36" long
1/4 male x 1/4 female NPT
with 1404-4-4 (one end)

Digital Pressure Gauge Package

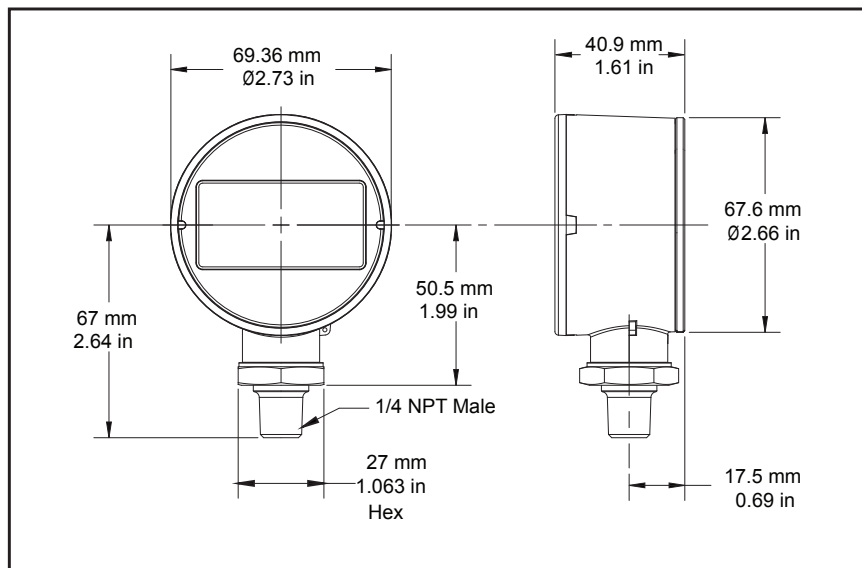
The Digital Pressure Gauge Package includes a gauge with hose, 14 piece fitting kit (see page 4), and padded storage case.



(Model 12-740-020 shown)

Gauge Specifications

Accuracy	0.5% F.S. standard, 0.25% optional includes effects of linearity, hysteresis and repeatability
LCD Display	5 digit numeric top line, 5 character alphanumeric lower line, 20 segment vertical bar graph, 4 segment battery life indicator, dedicated icons for gauge timer, back light timer, tare, minimum and maximum
Character Height.....	Upper line 0.48" (12.19 mm), lower line 0.24" (6.10 mm)
View Angle.....	12 o'clock
Backlight	Blue backlight
Engineering Units.....	PSI, bar, inHg, cmHg, mmHg, kPa, mPa, kg/cm ² , ftH ₂ O, and customer defined unit
Ranges.....	45 standard PSI and bar ranges from -14.7 to 10,000 PSI, gauge, vacuum and compound ranges available
Enclosure Material.....	Case and battery cover: Polycarbonate/ABS Window: Polycarbonate
Enclosure Rating	IP67
Serial Number	Yes
Nominal Size	2.73" (69.36 mm) diameter, 1.61" (40.9 mm) deep, 2.64" (67 mm) centerline to end of 1/4 NPT thread
Wetted Material	17-4 ph sensor & 316L socket, laser welded
Connection.....	1/4 NPT Male
Battery	Two AA alkaline batteries
Battery Life.....	2000 hours minimum
Battery Life Indicator.....	4 levels
Cycle Life.....	10 million cycles
Vibration	MIL-STD-202G, method 201A
Shock.....	MIL-STD-202G, method 213B, test condition K
Operating Temp	-20°C to 60°C, (-4°F to 140°F) ambient temp. -20°C to 80°C (-4°F to 176°F) process media temp
Storage Temp	Batteries installed: -20°C to 60°C, (-4°F to 176°F) Batteries removed: -20°C to 80°C, (-4°F to 176°F)
Temp Coefficient.....	0.04%/°F (-20°F to 180°F) zero and span reference temp 70°F
Leak Integrity	10 ⁻⁷ standard cc/sec
Update Rate.....	1Hz, 2Hz, 4Hz
Keypad Functions	3 key available with multi press functionality
Hard Keys	on/off: Power Symbol and Enter zero: Zero, Tare, and Up Arrow menu: Access, Backlight, Down Arrow
Agency Approvals	CE (heavy industrial), ASME B40.7, RoHs, UL 61010/cUL (pending)
Proof Pressure % of Span	Vac - 300 lb = 200%, 300 to 5000 lb = 150%, 5000 to 10,000 lb = 120%
Burst Pressure % of Span	Vac - 300 lb = 800%, 300 to 5000 lb = 500%, 5000 to 10,000 lb = 300%



Fitting Kit Contents

1. Male Straight Thread to Female Pipe Connector, 7/16-20 O-ring x 1/4-18 NPT (Steel)
2. Male Straight Thread to Female Pipe Connector, 9/16-18 O-ring x 1/4-18 NPT (Steel)
3. Male Straight Thread to Female Pipe Connector, 3/4-16 O-ring x 1/4-18 NPT (Steel)
4. Male Straight Thread to Female Pipe Connector, 7/8-14 O-ring x 1/4-18 NPT (Steel)
5. Hex Coupling, 1/8-27 NPT x 1/8-27 NPT (Steel)
6. Hex Coupling, 1/4-18 NPT x 1/8-27 NPT (Steel)
7. Hex Nipple, 1/8-27 NPT x 1/8 NPT (Steel)
8. Hex Nipple, 1/4-18 NPT x 1/8 NPT (Steel)
9. Female Flared Tube to Male Pipe Connector, 3/16 Tube 3/8-24 x 1/8-27 NPT (Brass)
10. Female Flared Tube to Male Pipe Connector, 1/4 Tube 7/16-24 x 1/8-27 NPT (Brass)
11. Female Flared Tube to Male Pipe Connector, 5/16 Tube 1/2-20 x 1/8-18 NPT (Brass)
12. Female Flared Tube to Male Pipe Connector, 3/8 Tube 5/8-18 x 1/8-27 NPT (Brass)
13. Male Flared Tube Bulkhead to Female Pipe Connector, 1/4 Tube 7/16-20 x 1/4-18 NPT (Steel)
14. Female Pipe to Male Pipe Connector, 1/8-27 NPT x 1/4-18 NPT (Steel)