



PRODUCT BULLETIN

Fluid Reservoirs for Direct or Remote Mounting

ZF offers two reservoir designs:



Polyallomer Reservoir

- Translucent for easy view of fluid level
- Diaphragm seals out environmental contaminants
- Adaptable outlet fittings
- Sediment trap inherent to design
- Easy screw on and off filler cap
- 14.5 in³ usable fluid capacity
- For use with hydraulic oil and brake fluid
(contact ZF Off-Highway Solutions Minnesota Inc. regarding phosphate ester fluids)

SPECIFICATIONS

Polyallomer Reservoirs

Model Number	Fluid Type	Outlet Fitting	Mounting Bracket	Diaphragm Kit Number
20-920-500	HO	9/16-18UNF-2A	Yes	29-920-012
20-920-520	HO	9/16-18UNF-2A	No	29-920-012
20-920-512	HO	1/4-18NPTF (internal)	Yes	29-920-012
20-920-514	HO	1/4-18NPTF (internal)	No	29-920-012
20-920-505	BF	9/16-18UNF-2A	Yes	29-920-011
20-920-509	BF	1/4-18NPTF (internal)	Yes	29-920-011
20-920-515	BF	1/4-18NPTF (internal)	No	29-920-011

HO = mineral base hydraulic oil
BF = DOT 3, 4, 5, and 5.1 brake fluid



Metal Reservoir

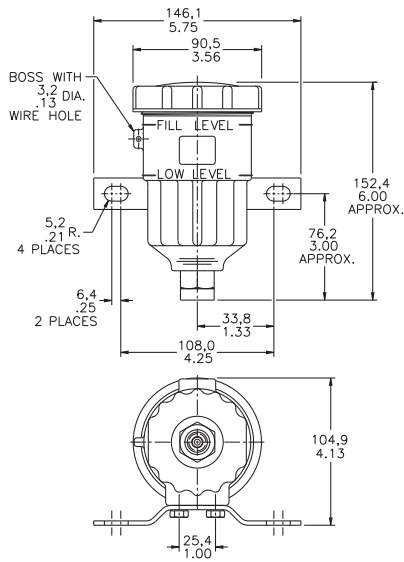
- Rugged anodized aluminum housing
- Easy screw on and off filler cap with baffle and breather
- 3.3 in³ usable fluid capacity
- Compact design for ease of mounting
- Adaptable outlet fittings
- For use with hydraulic oil and brake fluid
(contact ZF Off-Highway Solutions Minnesota Inc. regarding phosphate ester fluids)

Metal Reservoirs

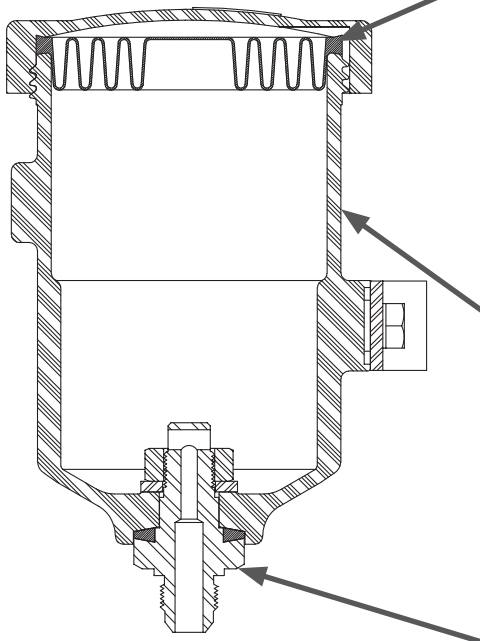
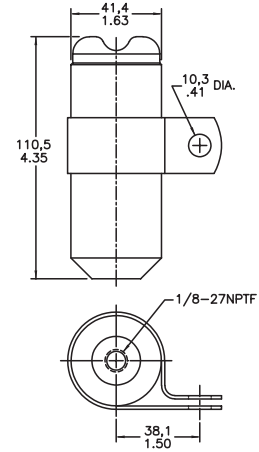
Model Number	Fluid Type	Mounting Bracket
**20-920-002	BF or HO	No
*20-920-006	BF or HO	Yes
20-920-009	BF or HO	Yes

* Includes two 1/4-27NPTF x 1/4 tube fittings
** Includes 1/8-27NPTF male 90° elbow fitting
HO = mineral base hydraulic oil
BF = DOT 3, 4, 5 and 5.1 brake fluid

Dimensional Information



millimeters
inches



Diaphragm Material: Diaphragms are available in compounds for use with DOT 3, 4, 5, and 5.1 brake fluid, mineral base hydraulic oil, and most phosphate ester fluids.

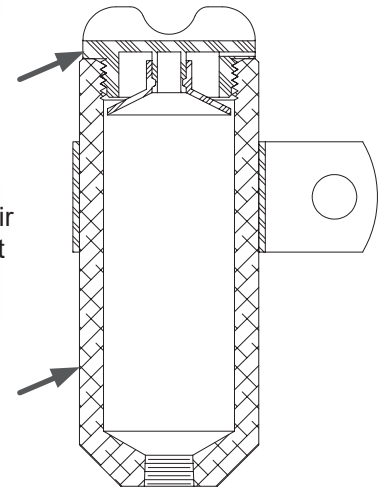
Filler Cap Design: Polypropylene filler cap with baffle and breather.

Reservoir Construction: Fluid reservoir is made of a high strength, fire retardant translucent polyallomer.

Reservoir Construction: Rugged anodized aluminum.

Adaptable Fittings Available:

- 9/16-18UNF-2A, which accepts a 37° SAE 3/8 inch tube nut or will thread into a #6 SAE o-ring boss.
- 1/4-18NPTF (internal).



This publication is not subject to any update service. Information contained in this publication was in effect at the time the publication was approved for printing and is subject to change without notice or liability. ZF Off-Highway Solutions Minnesota Inc. reserves the right to revise the information presented or to discontinue the production of parts described at any time.

